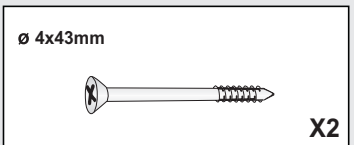
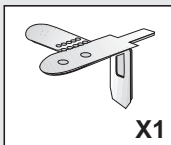
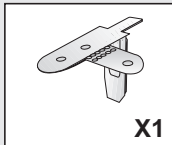
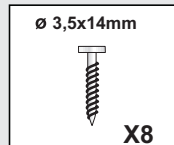
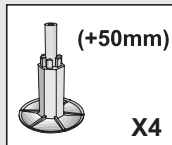
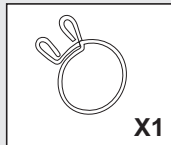
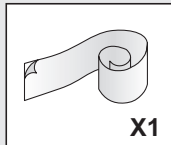
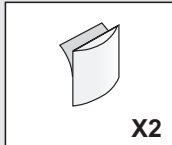
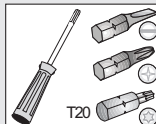
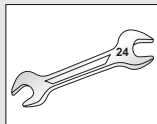
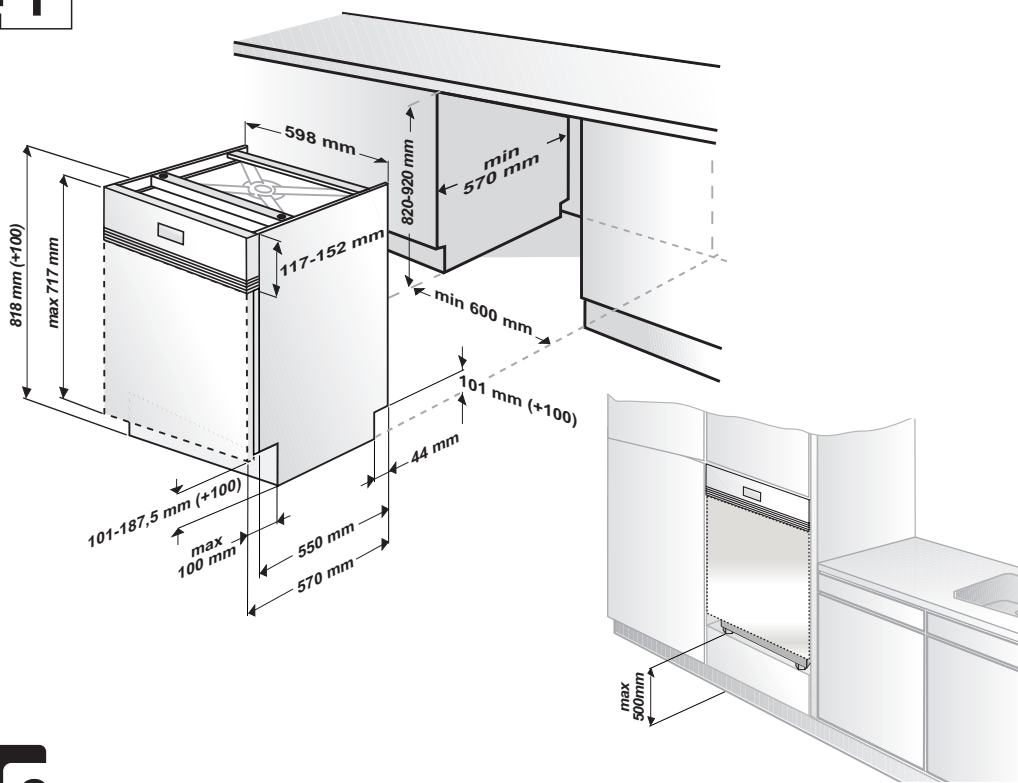


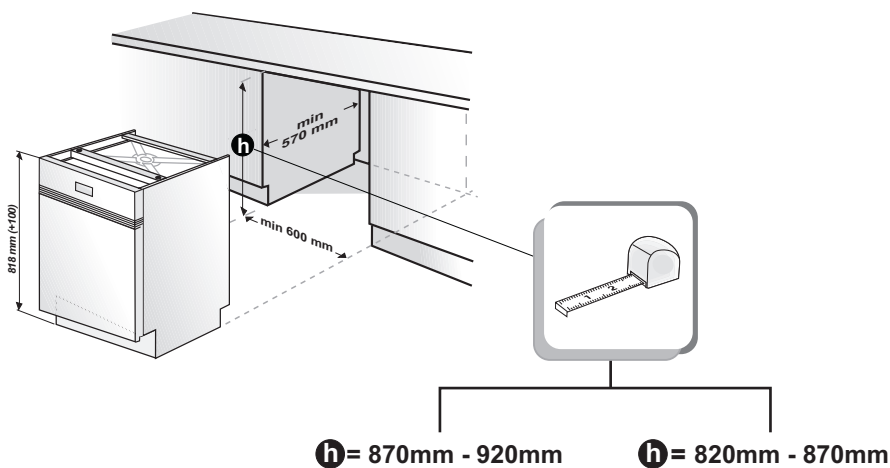
- S
- N
- DK
- FIN



1



2

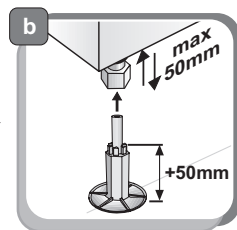
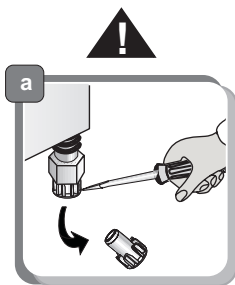
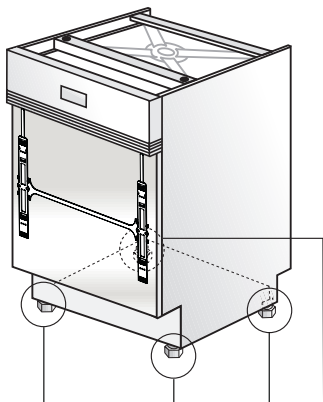


3

4

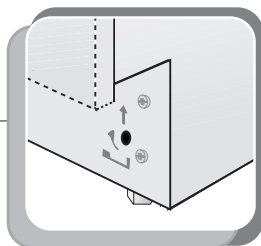
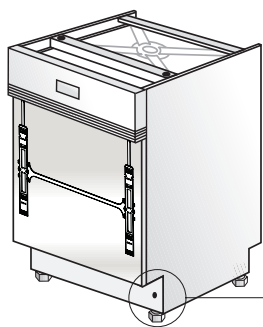


3

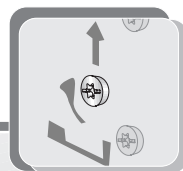


4

4



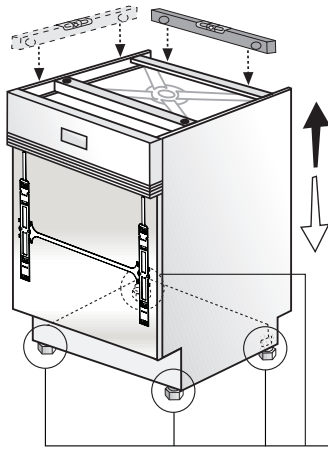
5a



5b

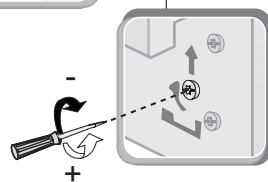
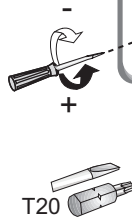
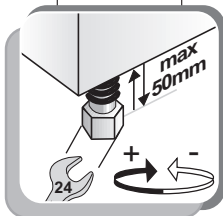
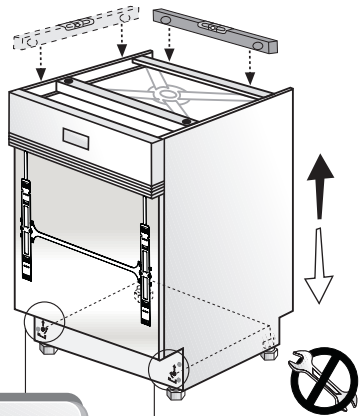
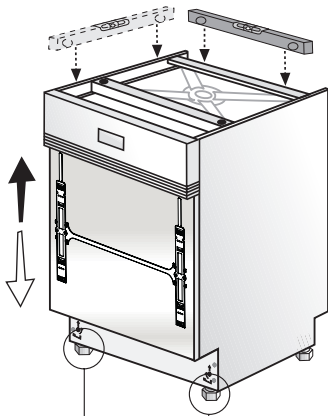


# 5a



# 6

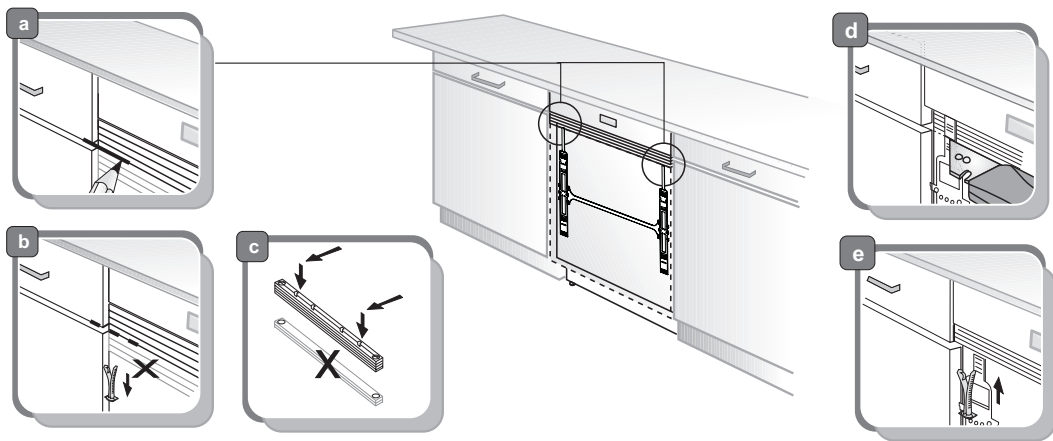
# 5b



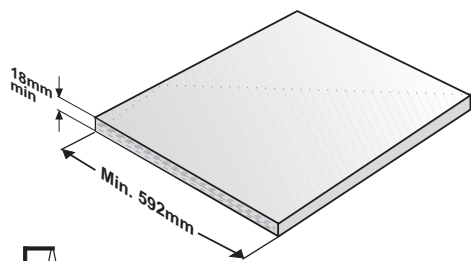
# 6



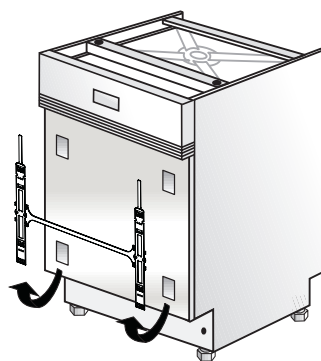
# 6



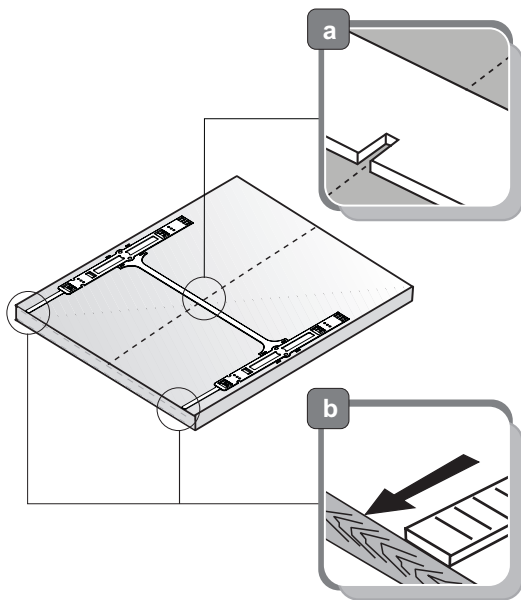
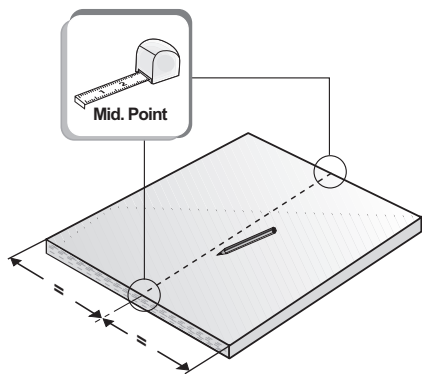
# 7



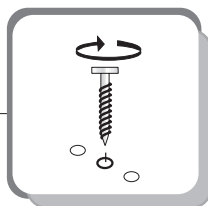
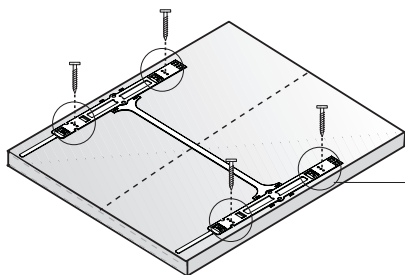
Max : 5,5kg



# 8



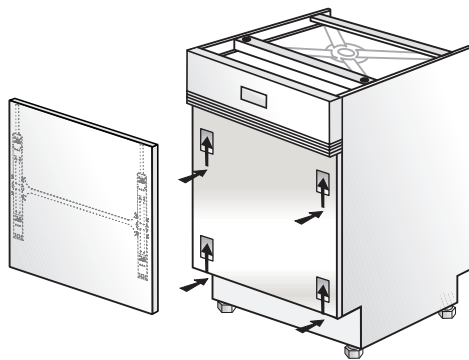
# 9



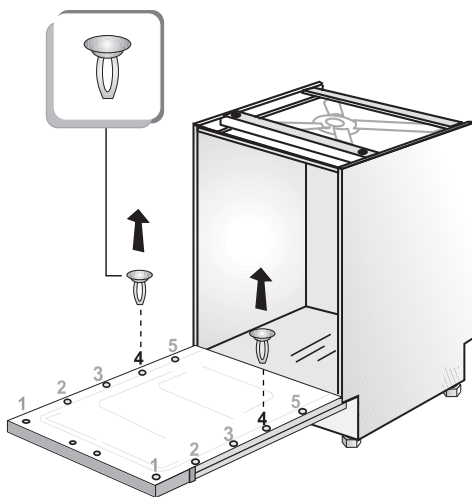
Ø 3,5x14mm

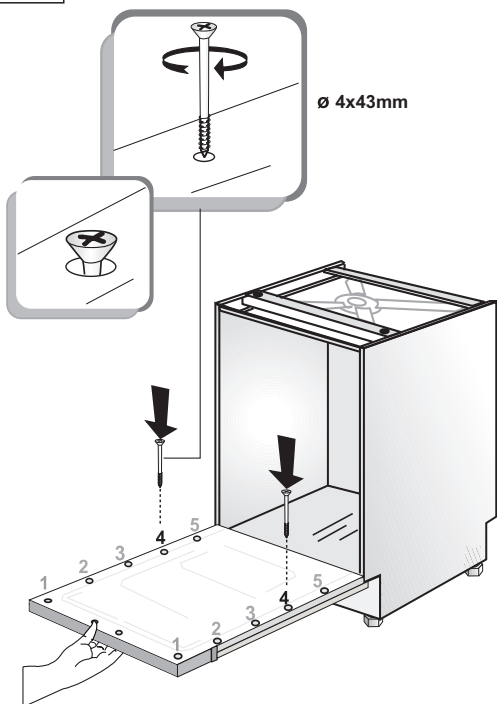
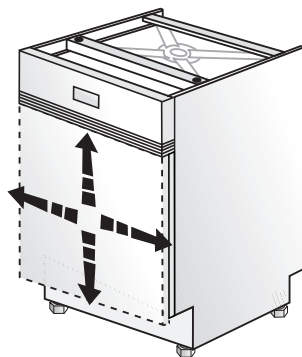
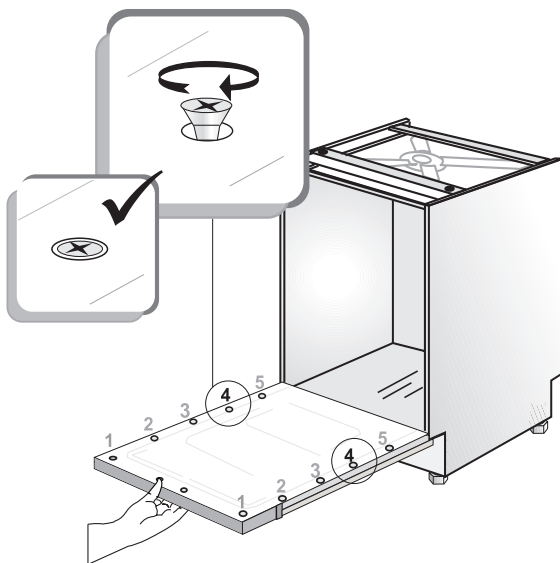


10

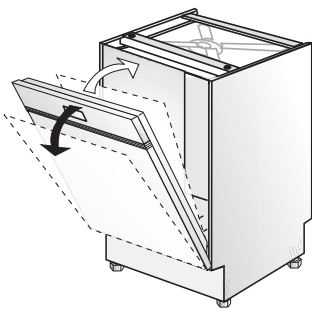


11

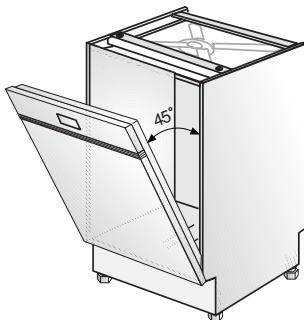


**12****13****14**

15

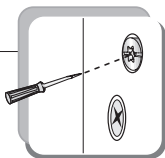
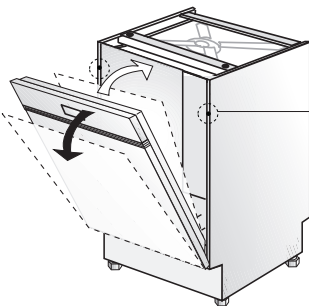


16

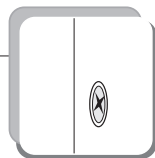
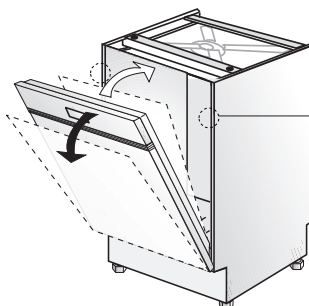


17

16



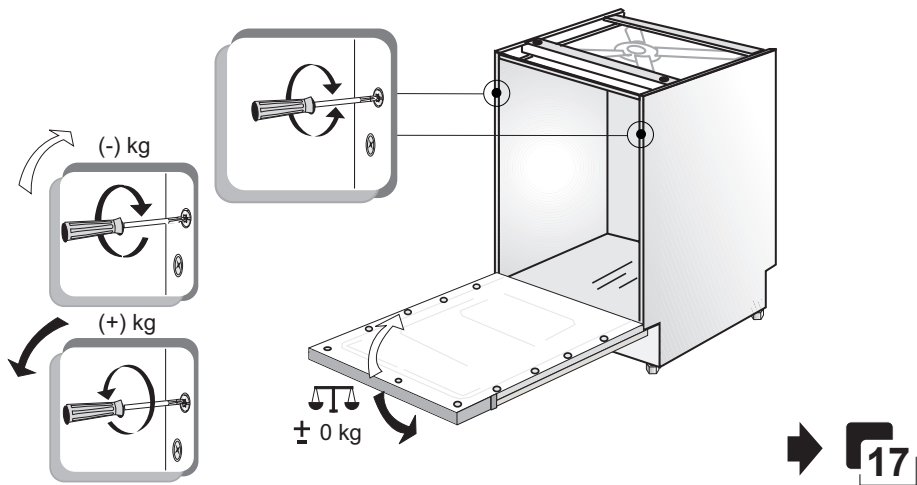
16a



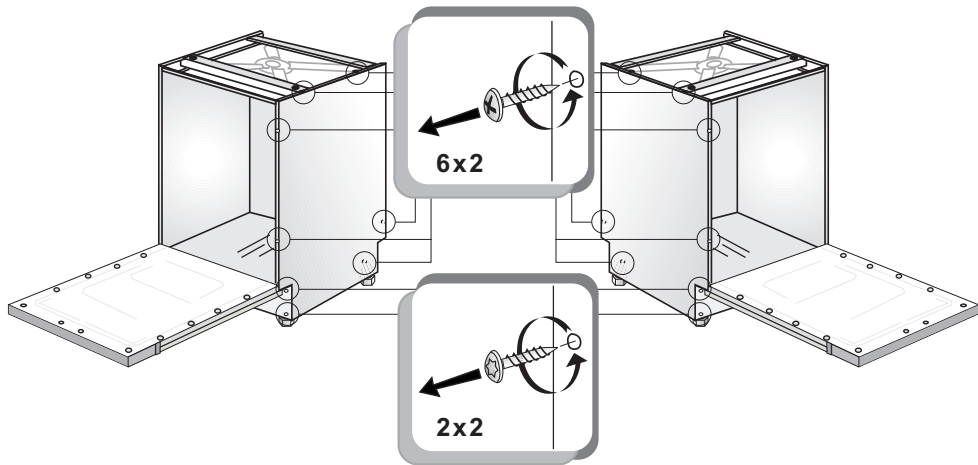
16b1



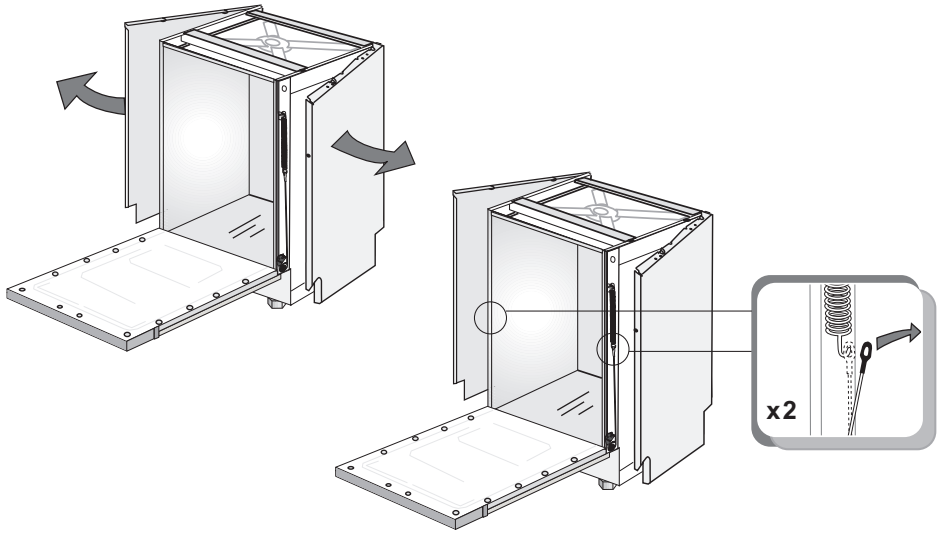
# 16a



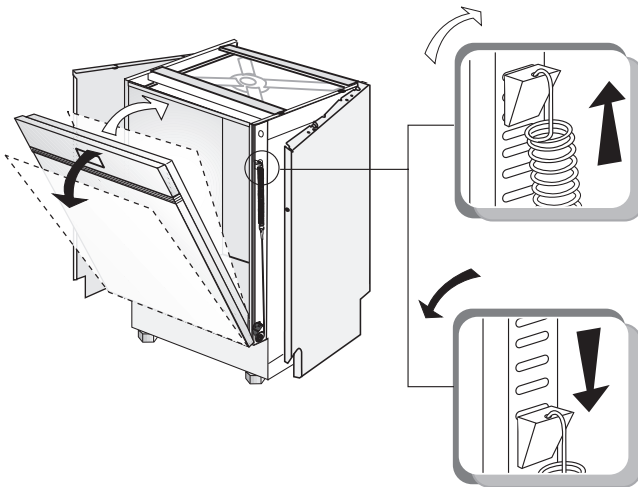
# 16b1



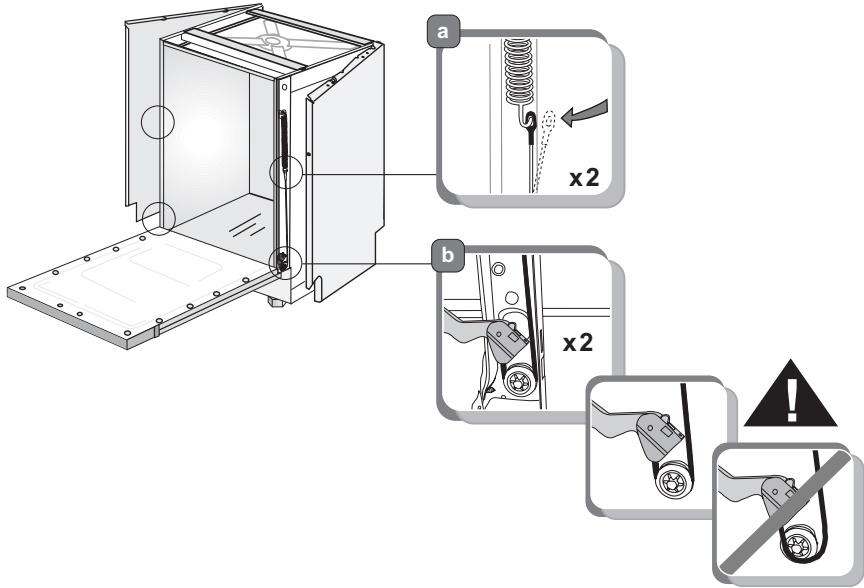
# 16b2



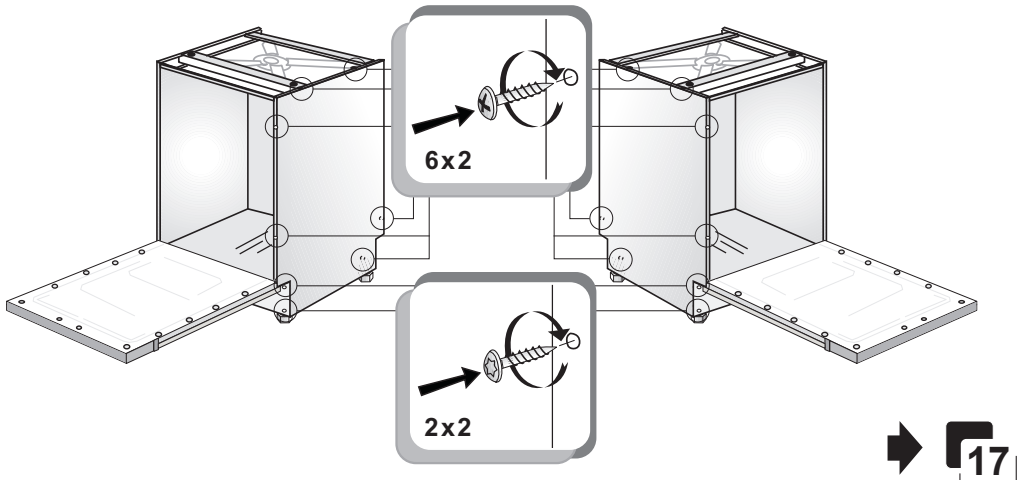
# 16b3



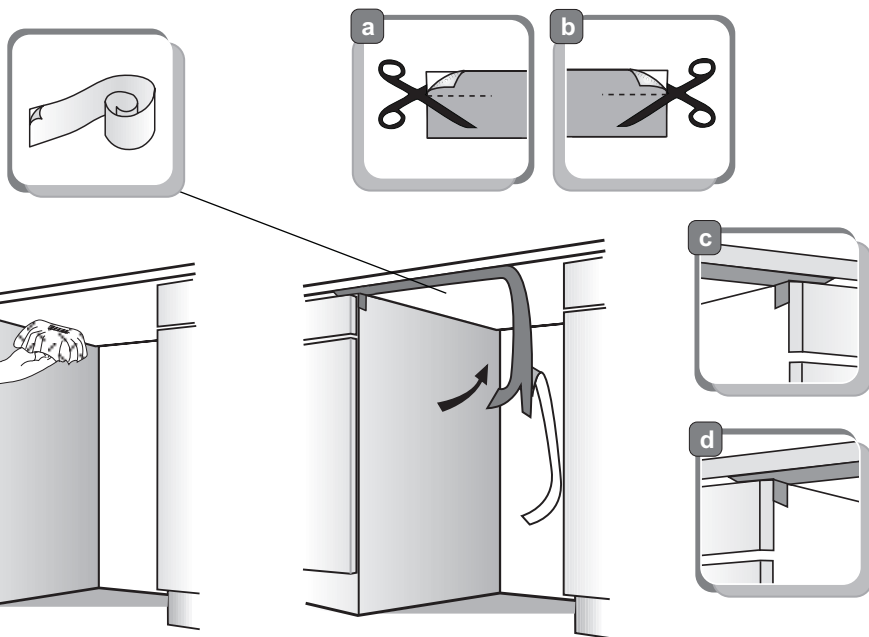
# 16b4



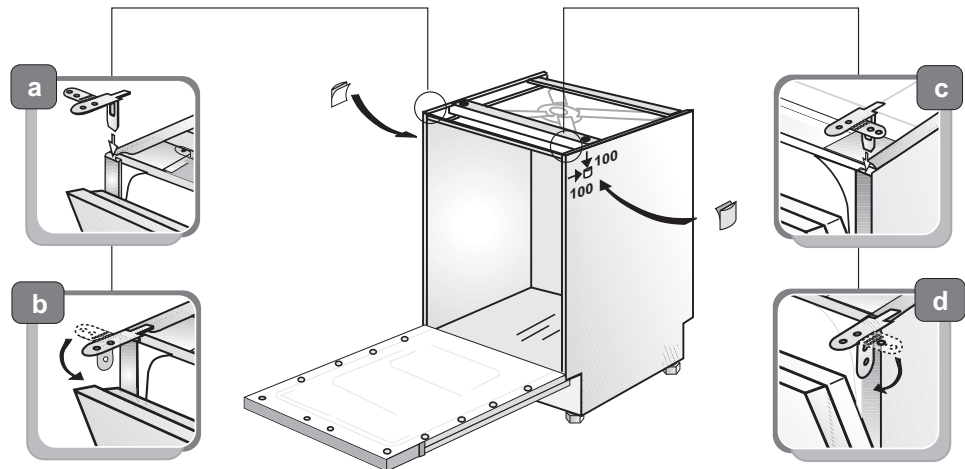
# 16b5

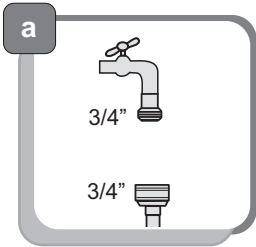
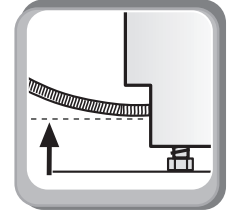
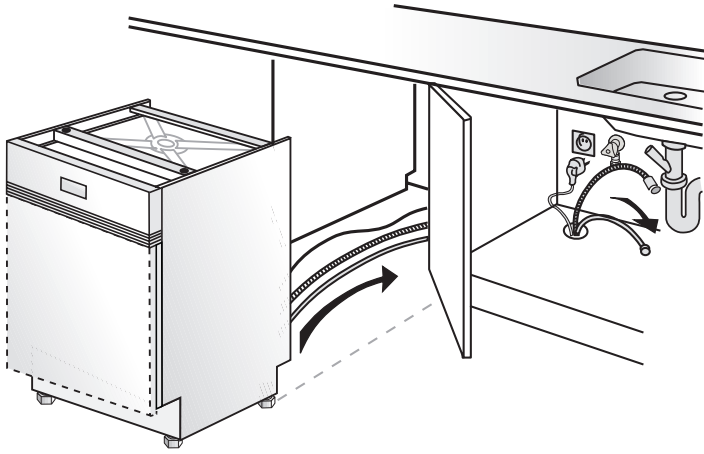


17

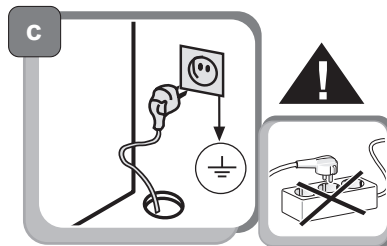
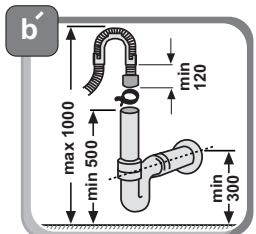
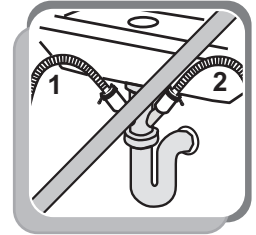
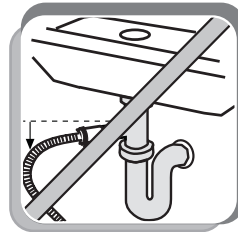
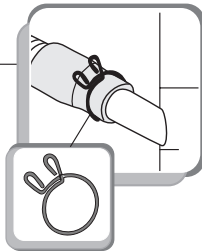
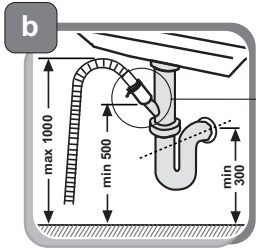
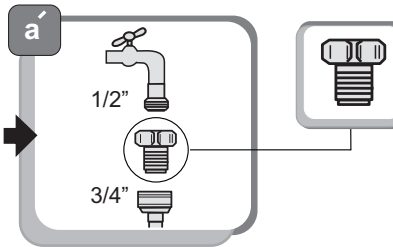


18

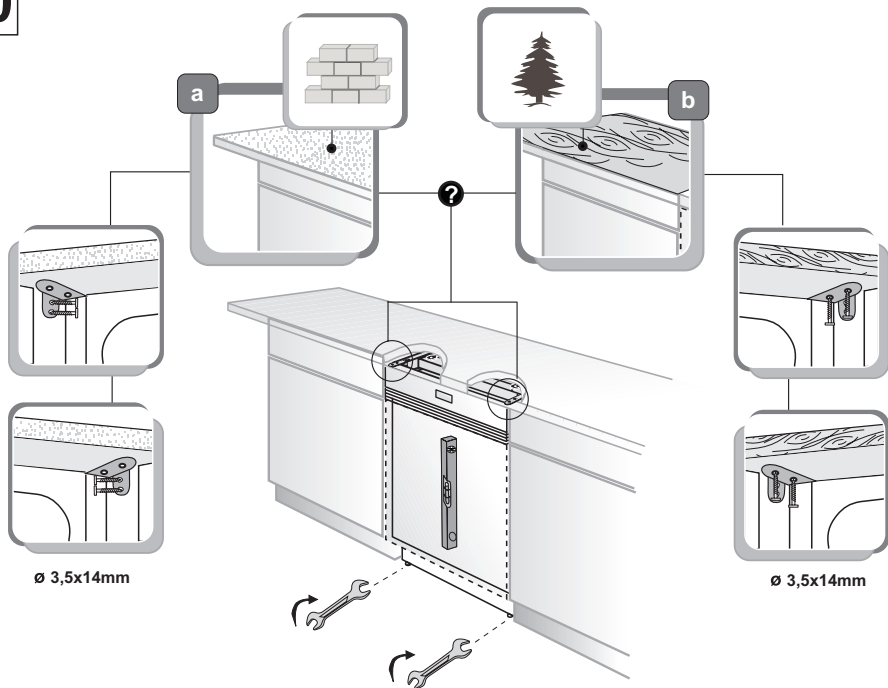




S  
N  
DK  
FIN



20



21

